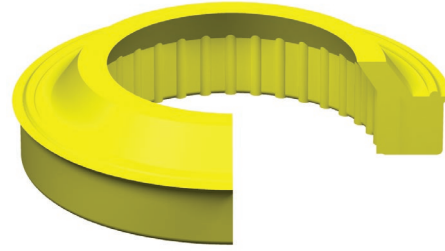




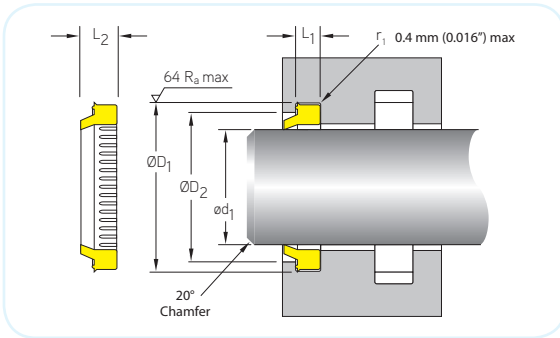
DM Style Rod Wiper

MFP Seals' industry standard, DM Style Rod Wipers are designed to fit into a standard housing and provide heavy duty exclusion of dirt and debris. Designed to ensure maximum contact with the wiping surfaces, the DM Style Rod Wiper includes an outer diameter sealing lip providing a tailored fit within the housing. A sealing bead is also provided to prevent moisture and contaminants from passing the outside of the wiper. The inside diameter of the wiper has ribbing for pressure relief to prevent blow-out.



The standard compound for this seal is U2145.
Other compounds are also available.

For compound descriptions and temperature ranges, please refer to page 16.



MFP PART NUMBERS

DM-0625U2145

SEAL TYPE ød1 COMPOUND

Max. Velocity: 0.5 m/s (1.5 ft./s)
Surface Finish: Ra 0.1 to 0.4 µm (4 to 16 µin.)

MFP PART NUMBER	ROD APPLICATION				
	ød1	ØD1	L1	ØD2	L2
TOLERANCE	+0.00/-0.002	+0.06/-0.000	+0.04/-0.000	+0.05/-0.000	
DM-0625	0.625	0.872	0.124	0.785	0.210
DM-0750	0.750	1.122	0.187	0.995	0.305
DM-0875	0.875	1.247	0.187	1.120	0.305
DM-1000	1.000	1.372	0.187	1.245	0.305
DM-1125	1.125	1.497	0.187	1.370	0.305
DM-1250	1.250	1.622	0.187	1.495	0.305
DM-1375	1.375	1.747	0.187	1.620	0.305
DM-1500	1.500	1.872	0.187	1.745	0.305
DM-1750	1.750	2.122	0.187	1.995	0.305
DM-2000	2.000	2.497	0.249	2.327	0.395
DM-2250	2.250	2.747	0.249	2.577	0.395
DM-2500	2.500	2.997	0.249	2.827	0.395
DM-2750	2.750	3.247	0.249	3.077	0.395
DM-2875	2.875	3.372	0.249	3.202	0.395
DM-3000	3.000	3.497	0.249	3.327	0.395
DM-3375	3.375	3.872	0.249	3.702	0.395
DM-3500	3.500	3.997	0.249	3.827	0.395
DM-4000	4.000	4.497	0.249	4.327	0.395
DM-4500	4.500	5.247	0.374	4.993	0.585
DM-5000	5.000	5.747	0.374	5.493	0.585
DM-5500	5.500	6.247	0.374	5.993	0.585
DM-6000	6.000	6.747	0.374	6.493	0.585

DM STYLE

ROD WIPERS